

# Reddot Award of 2017

Round inside and square outside original design  
Energy-saving and uniform grinding



Black, Silver and Golden



## UNIQUE DESIGN

Round inside and Square outside  
with good hand grip



## SHARP STEEL BURRS

Produced in 5-axis CNC  
High grinding efficiency



## EASILY ADJUSTABLE COARSENESS

Adjust by Point to point precisely



## CONSISTENT GRINDING

Dual bearings and precise concentric  
grinding



## SMALL AND PORTABLE

Easy to carry With a cloth bag  
Enjoy a cup of coffee at any time



## MATERIAL WITH PREMIUM QUALITY

Space aluminum and black walnut  
in unibody designs



reddot design award  
winner 2017



This coffee grinder combines a round grinding mechanism with a square outer contour, the edges of which are harmoniously rounded. The precisely manufactured grinding body is made of a robust aluminium alloy and ensures the uniform grinding of coffee beans. In addition, the hand knob and the lower coffee container made of polished walnut ensure a pleasant feel and comfortable handling. The precise transition from metal to wooden elements underlines the contrast of the selected materials.

#### Statement by the Jury

Expressing high quality standards, this coffee grinder presents an aesthetic and characteristic

# Precise and reasonable construction

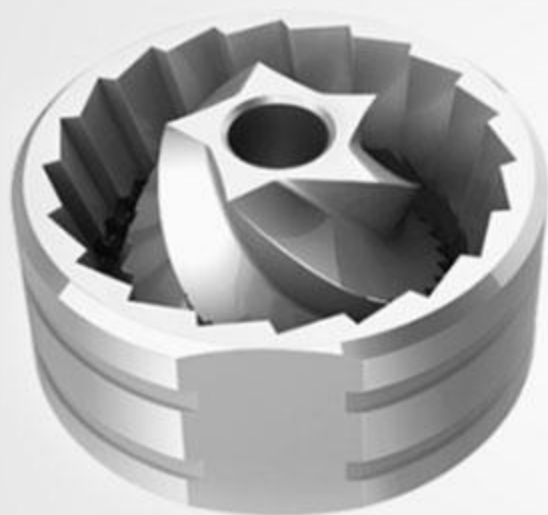
To increase the good consistency and smooth grinding





# Five-axis CNC steel burr

Grind coffee beans extremely consistently & quickly.



## Chestnut G1 Burr

Better for coarser grinding  
Even grinding with less fines

**Material:** Stainless steel  
**Processing:** 5-axis CNC cutting  
**Hardness:** 620HV (can cut coffee beans fast and consistently)

G1 is better for coarser grinding like pour-over and syphon and with less fines. It also can be used for espresso but needs a little bit more time and energy. It won't get rusty even if you don't use for a long time.



## Chestnut G1S Burr

Better for finer grinding  
52% more energy-saving than G1

**Material:** Carbon steel  
**Processing:** 5-axis CNC cutting  
**Hardness:** 2300HV (high hardness, high accuracy and long durability)

G1S is better for finer grinding like espresso and Turkish. It saves more time and energy. But its fines are a little bit more than G1 when you do coarser grinding like pour-over and French press. It may get rusty in a wet place. Try to storage in a dry place.

## Creative hand Grip design

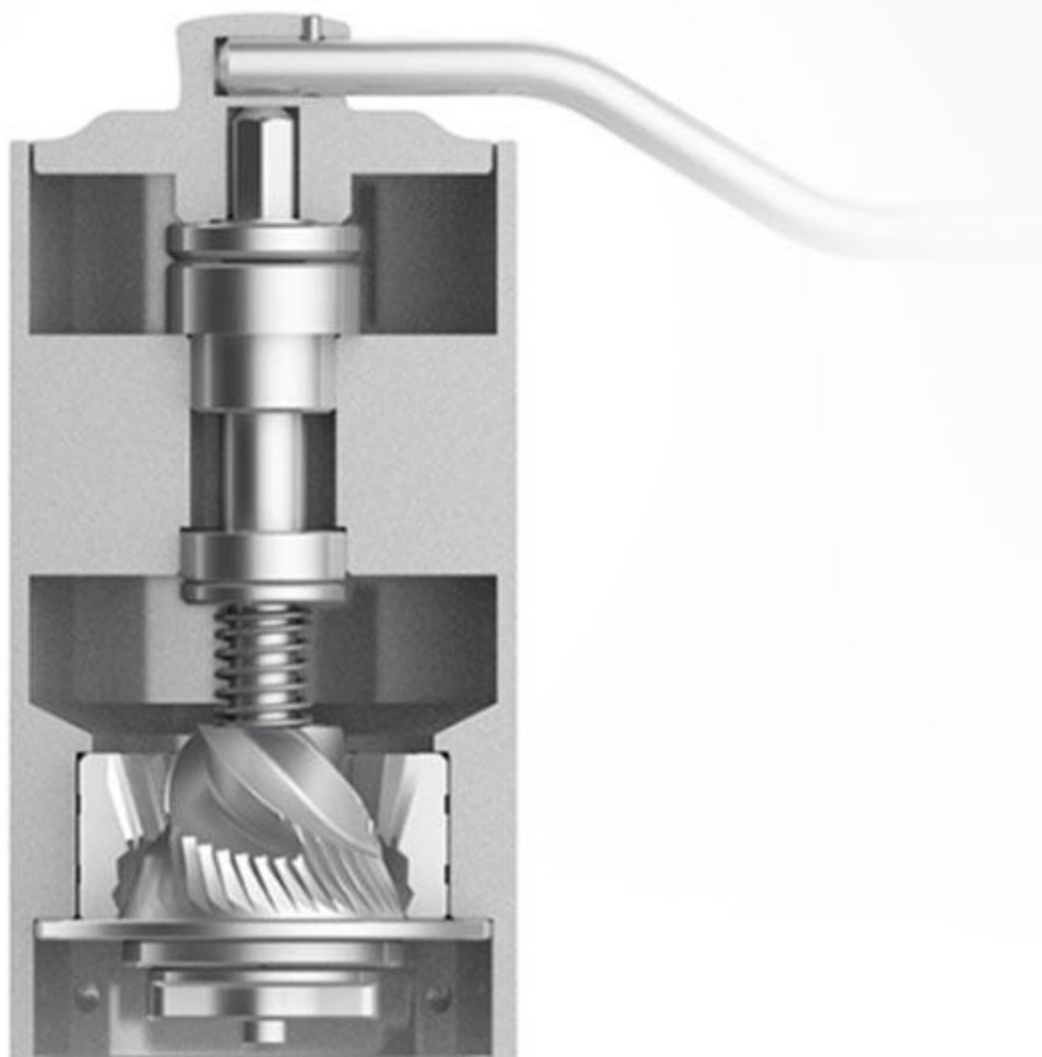
The body of most hand grinders are round and it may be easy to lose your grip on it. Therefore, we designed this special round inside and square out side. It makes an elegant design and also tighter hand grip when you grind.





## Dual bearings to fasten the central axis

Two ball bearings fix the central axis to ensure the fluency and concentricity of the burr set. This is the key to consistent grinding.





# Patented point to point coarseness scale

The steel ball damping structures make sure the adjustment point to point.  
It allows the precise grinding adjustment.



Fine



Medium



Medium-coarse

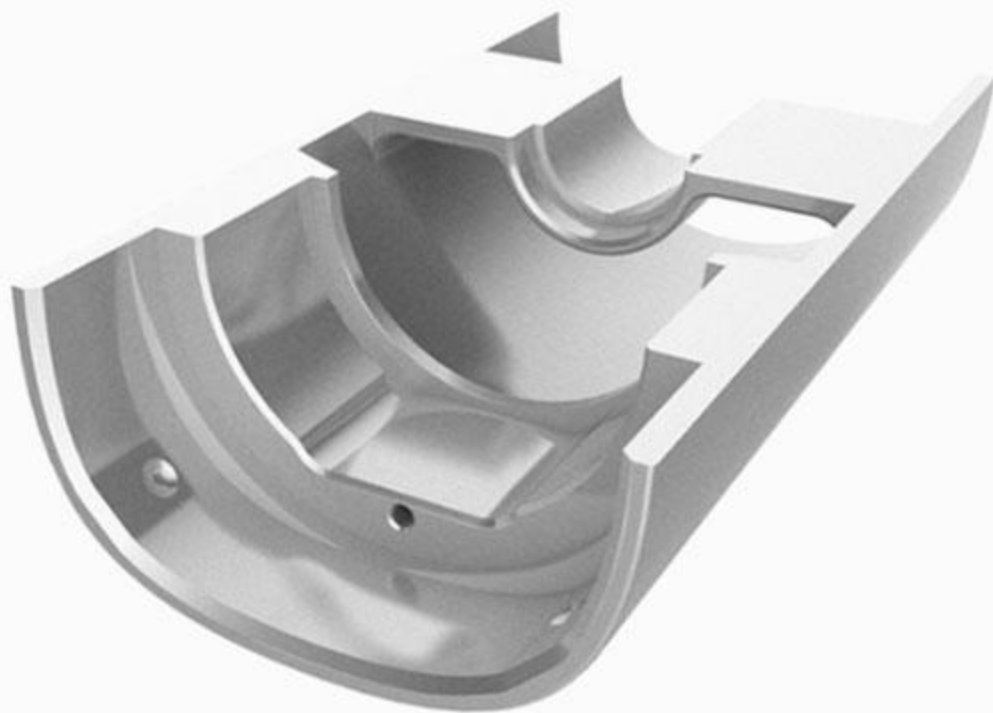


Coarse



# Space Aluminum Unibody Design

A whole piece of Aluminum was cut precisely. TIMEMORE has the pursuit of high quality.





 Aluminum Alloy plus walnut Wood Base





Black Walnut with Unibody design



TIMEMORE



With a Cloth bag

There are two layers inside  
to separate the body and handle



Knob

Magnet

Metal Handle

Silicon ring

Screws

User's manual

Bearings

Central axis

Spring

Handle fixture

Lid for bearing

Burr fixture

Scale switch



Metal body



Burr Set



Scale

Screw



Cloth Bag



# Chestnut G1 Coffee Grinder

To make a whole Pour-over set



# A whole set for Pour-over

Good choice as gifts





# Delicate design

From the beginning of Oct, 2015, we've been in the brainstorming about the nice appearance and the practical use as well as light structure.

We would like to realize each possible idea and won't let it go.







TIME MORE



